



TAI-SAW TECHNOLOGY CO., LTD.

No. 3, Industrial 2nd Rd., Ping-Chen Industrial District,
Taoyuan, 324, Taiwan, R.O.C.

TEL: 886-3-4690038 FAX: 886-3-4697532

E-mail: tstsales@mail.taisaw.com Web: www.taisaw.com

Approval Sheet For Product Specification

Issued Date:

Product Name: SAW Filter 430MHz SMD 3.8×3.8mm

TST Parts No.: TA0655A

Customer Parts No.: _____

Company: _____
Division: _____
Approved by : _____
Date: _____

Checked by: _____ Asin Lin

Approval by: _____ Francis Chen

Date: _____ 2007/01/26



TAI-SAW TECHNOLOGY CO., LTD.

No. 3, Industrial 2nd Rd., Ping-Chen Industrial District,
Taoyuan, 324, Taiwan, R.O.C.

TEL: 886-3-4690038 FAX: 886-3-4697532

E-mail: tstsales@mail.taisaw.com Web: www.taisaw.com

SAW Filter 430 MHz

MODEL NO.: TA0655A

REV. NO.:1

A. MAXIMUM RATING:

1. Input Power Level: 10 dB_m
2. DC voltage: 3 V
3. Operating Temperature: -10°C to 60°C
4. Storage Temperature: -40°C to +85°C

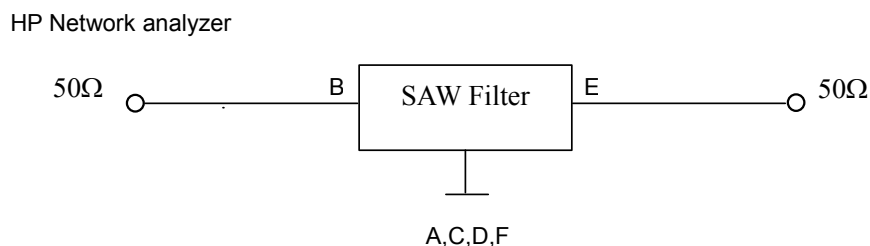
RoHS Compliant
Lead free
Lead-free soldering

B. CHARACTERISTICS:

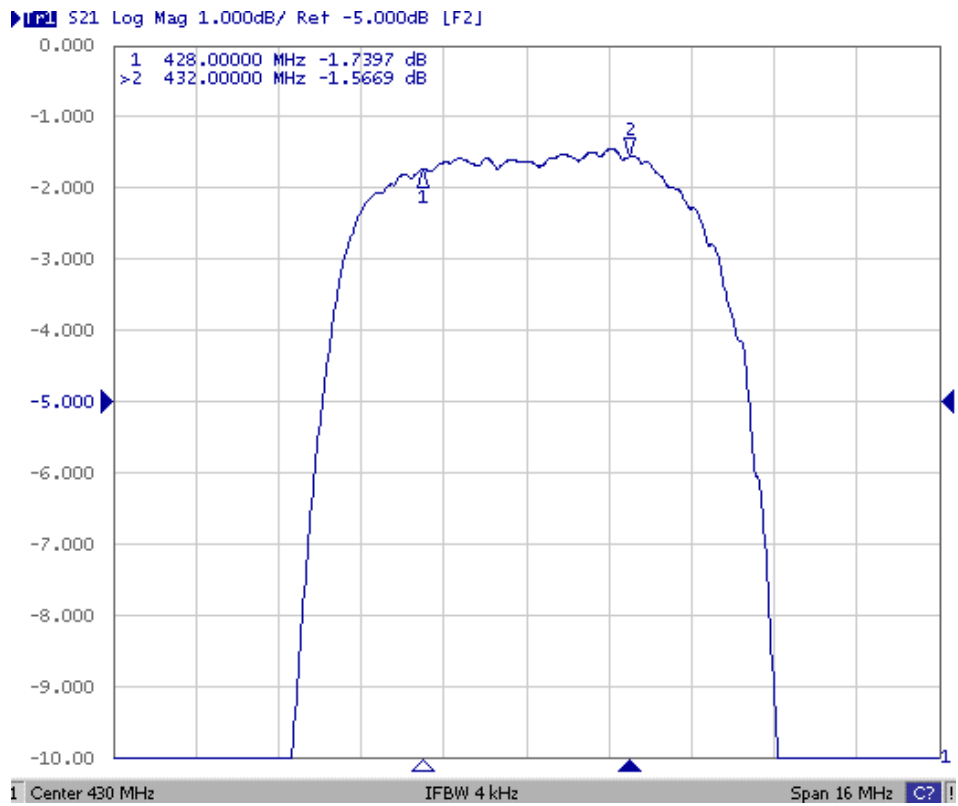
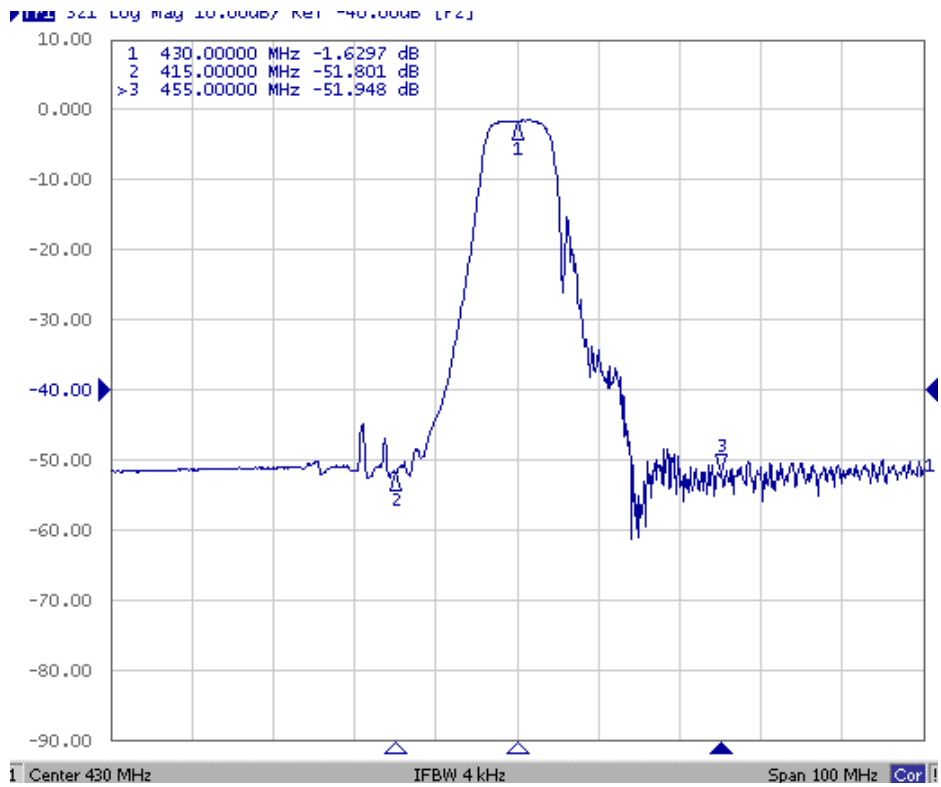
Item		Min.	Typ.	Max.
Center frequency	Fc MHz	-	430	-
Insertion loss	428.0 ~ 432.0 MHz IL (dB)	-	2.0	3.6
Amplitude ripple	428.0 ~ 432.0 MHz (dB)	-	0.5	1.5
VSWR	428.0 ~ 432.0 MHz (dB)	-	1.35	2.0
Group Delay Variation Fc ± 2MHz (ns)			80	
Absolute Group Delay at Fc (ns)		-	130	-
Attenuation (Reference level from 0dB)				
	10 ~ 415 MHz (dB)	40	45	-
	455 ~ 600 MHz (dB)	40	51	-
Source impedance	Zs (Ω)	-	50	-
Load impedance	ZL (Ω)	-	50	-
Temperature Coefficient		ppm/°C	-36	

Note1. No matching network required for operation at 50Ω

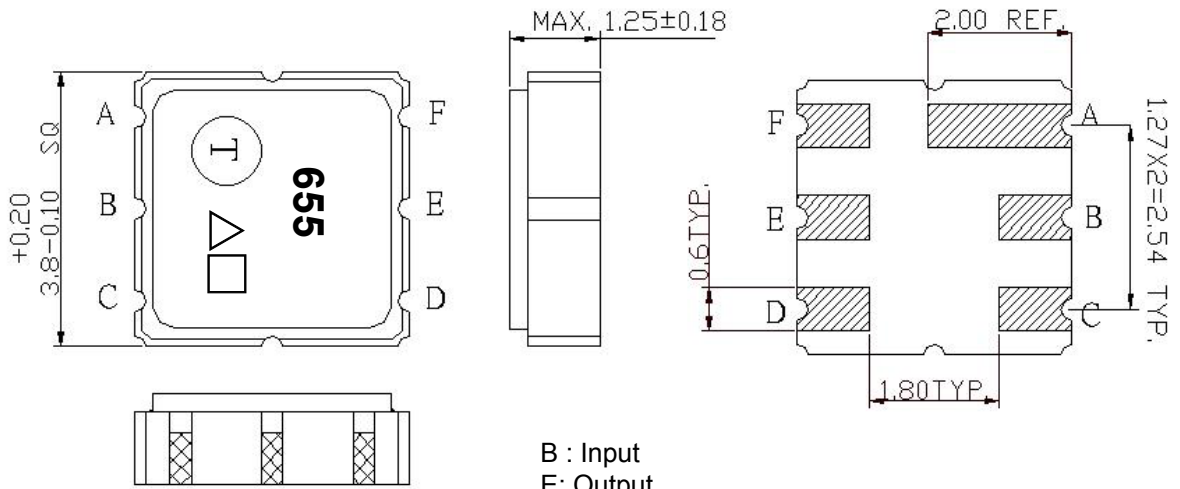
C. MEASUREMENT CIRCUIT:



D. TRANSFER FUNCTION :



E.OUTLINE DRAWING:

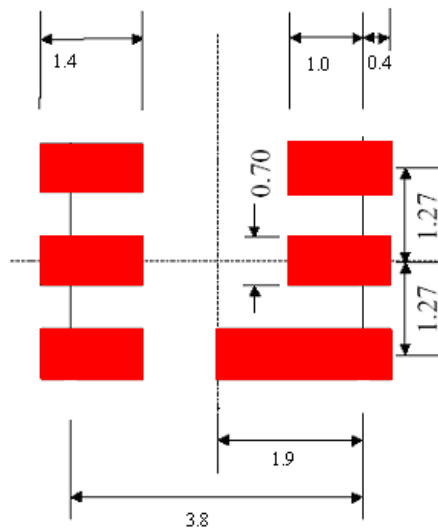


B : Input
 E: Output
 A,C,D,F Ground
 △:Year Code
 □: Date Code(Follow the table provided by planner each year.)
 Unit: mm

△ Product Year Code

Year	2005	2006
	2007	2008
	2009	2010
Product Code	A	a

F.PCB FOOTPRINT:



H. REFLOW PROFILE

